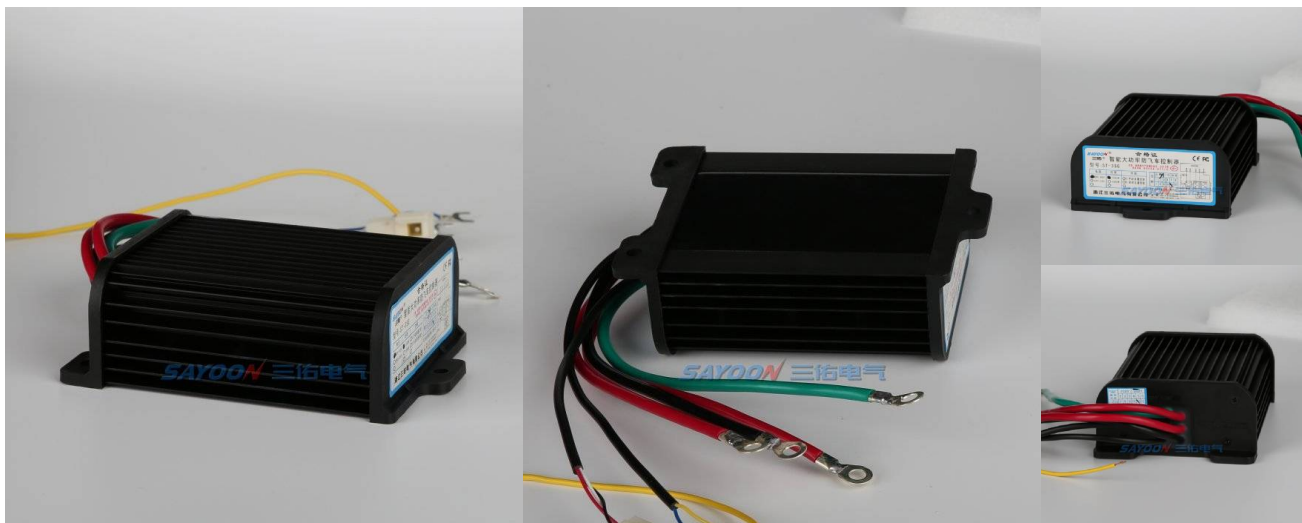


DC Motor Controller ST-3SG Prevent Runaway Brush DC Motor Controller



USES

Control of brush motors, series motors, with a functional tube burn anti-coaster for electric tricycle, electric machinery and equipment, recreation vehicle, floor sweeper, system, ceramic machine, throwing cars, brick car, clean cars, solar boats

ST-3	S	/□	□	-□	-□
1	2	3	4	5	6

- 1 Product type
- 2 S: Hall accelerator control; D: Potentiometer control; R: Soft-start
- 3 C: Manual cruise function; G: Prevent loss of control; B: Without zero start
- 4 Rated voltage
- 5 Rated power
- 6 Input plug type A: 6.3 plug; B: 2.8 snap spring

USE OF THE ENVIRONMENT

Ambient temperature	-30~+85℃
Relative humidity	+20℃ 98%
the vibration frequency of the	3G, 1 ~ 50Hz 0.5mm amplitude
Altitude	2000m
Installation direction	Random
International protection	IP55

ORDER INSTRUCTION

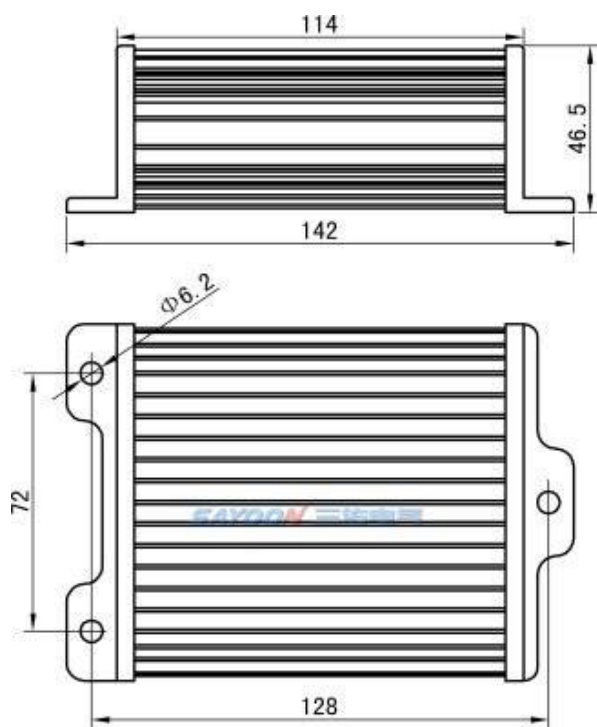
U.N.W.	426g
Package QTY.	50 PCS
Meas.(cm)	59*32*31
G.W.	25kg
N.W.	23kg

TECHNICAL PARAMETERS

(Version 1.34)

SAYOON Product Type	ST-3SG
Rated power	1000W;1500W;2000W
Rated voltage	12V;24V-36V;48V-60V;72V;84V;96V
Rated current(A)	35A;50A;70A
Throttle signal types	0.8-4.2V; 0-5k
Effective control of voltage range	1.8-3.5V
Rated power loss	≤5W
Throttle interface type	Three-wire 6.3 insert(default), Three-wire 2.8 insert
Interface type of anti-flying vehicle line	UT1-4
Testing organization certification	CE,FCC

INSTALLATION DIAGRAM



WIRING DIAGRAM

