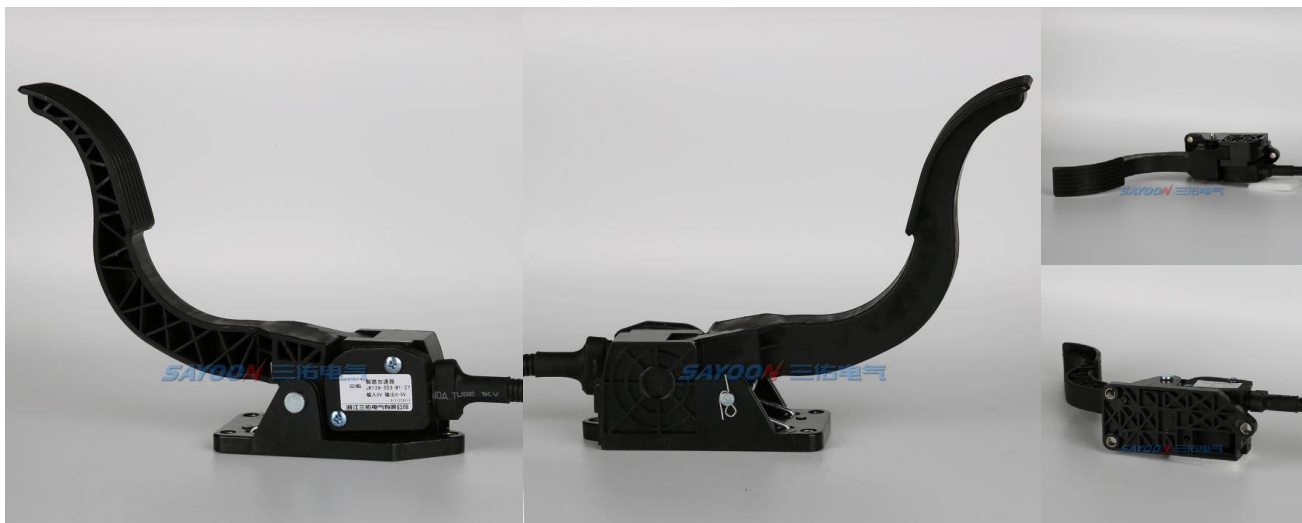


Switches and Accessories JK12A Foot Throttle



USES

Foot speed control for electric vehicles, electric tricycles, trucks, recreational vehicles, classic cars, brick cars, solar boats

<u>JK12</u>	<u>A</u>	<u>-0</u>	<u>0</u>	<u>3</u>	<u>-B</u>	<u>-27</u>
1	2	3	4	5	6	7

- 1 Product type
- 2 Installation type
- 3 Hall input voltage 0:0-5v; 1:12V; 2:24V; 3:36V; 4:48V; 6:60V; 7:72V; 8:84V; 9:96V
- 4 output voltage 0: 0-5V; 1: 0.8-4.2V; 4: 4.2-0.8V; 5: 5-0V
- 5 Total number of conductors: 3; 4; 5
- 6 Plug type 2.8p: 2.8 insert (C, D); 2.8h: 2.8 snap spring; 6.3p: 6.3 insert (P); 6.3h: 6.3 snap spring (A)
- 7 Wire length (CM)

USE OF THE ENVIRONMENT

Ambient temperature	-30~+85℃
Relative humidity	<95%
the vibration frequency of the	3G, 1 ~ 50Hz 0.5mm amplitude
Altitude	2000m
Installation direction	Random
International protection	IP68

ORDER INSTRUCTION

U.N.W.	373g
Package QTY.	50 PCS

ORDER FORM DESCRIPTION

Please specify the following information when placing an order: name, complete model, and quantity ordered. For example: JK12A-003-B 0.8-4.2V 100 pieces. Special output voltage specification products can be ordered by users if needed.

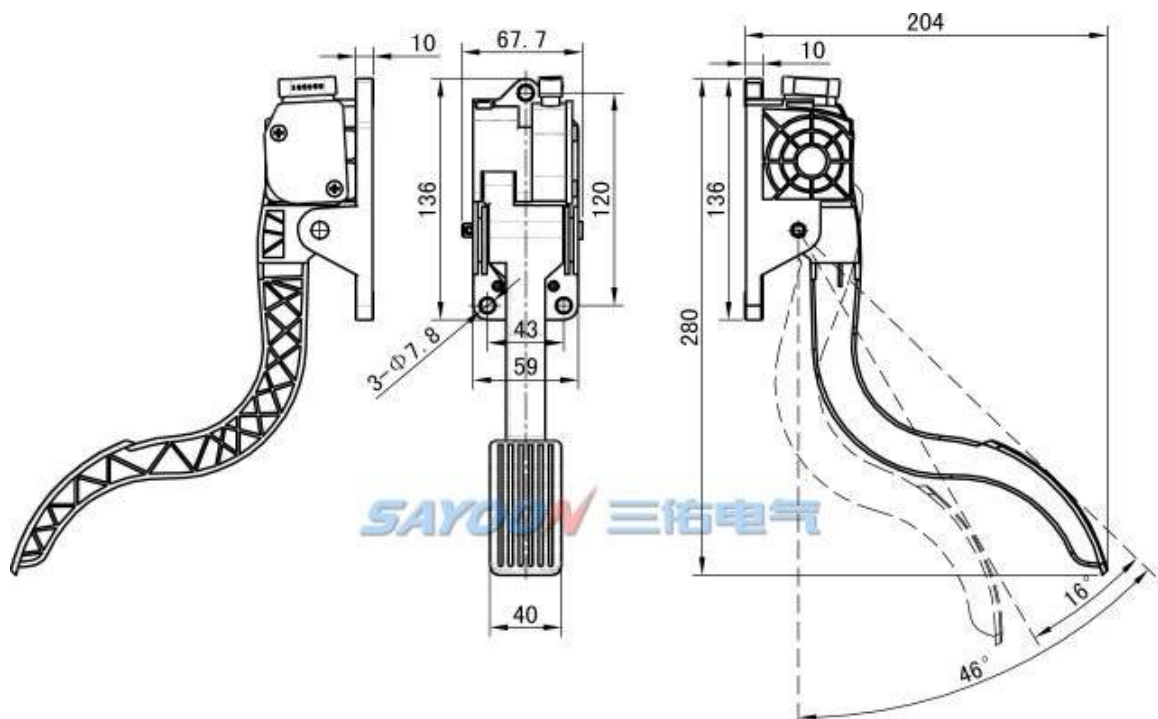
TECHNICAL PARAMETERS

(Version 1.41)

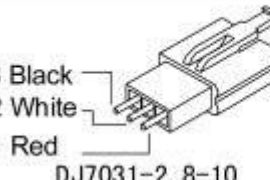
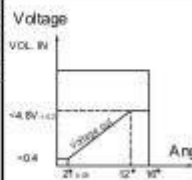
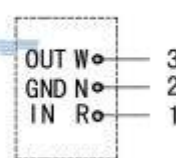
SAYOON Product Type	JK12A
Input voltage	5V,10V,12V,24V,36V-84V,96V, Any voltage
Output	0.8-4.2v;0-5V;5-0V;4.2V-0.8V;0-10V;10-0V
Output rated load current	10mA
Output type	Voltage
Wire length	270 mm
Pedal rotation angle	16 degrees
Maximum permissible load current	≤10mA
Pedal starting force	20N±5N
Pedal stop force	35N±5N
Switch signal maximum permissible load	100mA
Installation form	Suspension

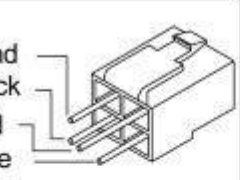
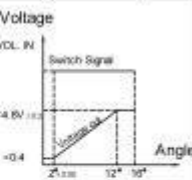
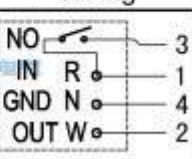
Note: The main components of this product use Hall sensors and strong magnets, and interference caused by environmental electromagnetic waves and temperature should be avoided as much as possible during use. If used as signal sampling, it should be filtered before use. Please refer to the Hall parameters for the tolerance of the product output. If there are any selection issues, please

INSTALLATION DIAGRAM



WIRING DIAGRAM

JK12A-□03-B1-□					
Port definition		Wiring diagram			
Red	1-Hall input				
White	2-Switch output				
Black	3-GND				

JK12A-□04-A-□					
Port definition		Wiring			
Red	1-Hall input				
Blue	2-Hall output				
Yellow	3-Switch output				
Black	4-GND				

FEATURES

Pedal accelerator pedal device is through one of the most important components of motor controller management operation, its quality determines the user driving reliability and comfort. The company accelerator has the following characteristics:1 Mechanical and electronic signal, logic signal, to prevent runaway.2 of the three torsion spring design, reasonable structure, prevent speed, high safety.3 waterproof and anti vibration, suitable for a variety of vehicle environment.4 imported programmable Holzer components, you can output any voltage, temperature drift is small, the work is stable.5 non contact type induction work, no wear, long life.6 the output curve is reasonable, the vehicle control freely.