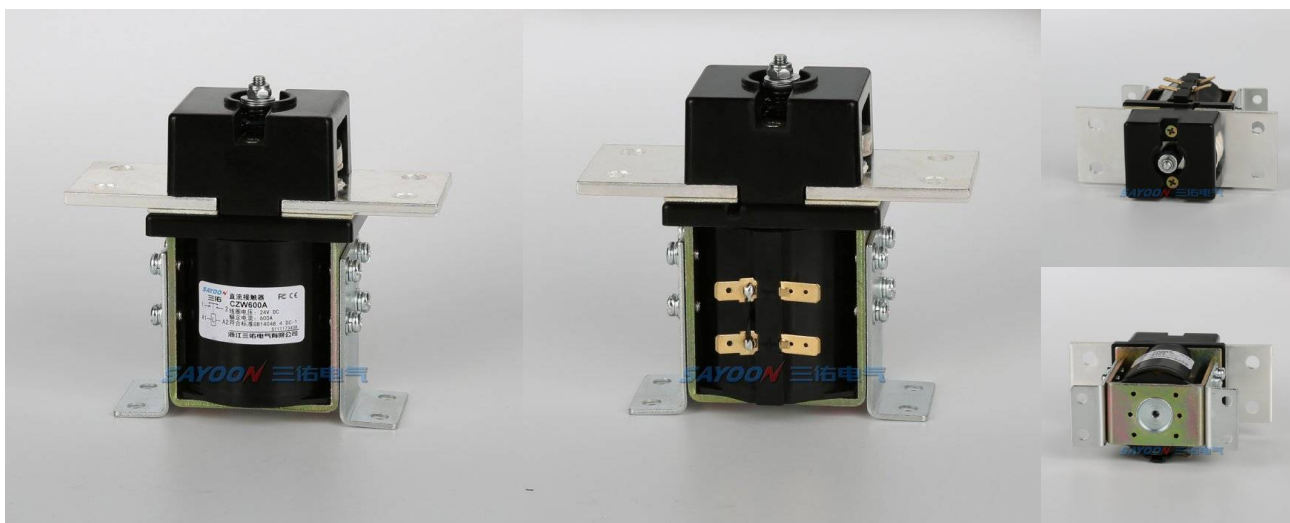


# Magnetic Holding CZW352A-K Magnetic Holding DC Contactor



## USES

This product realizes zero power connection when working. It is suitable for 5G、charging pile, telecommunication communication equipment, automation equipment, electric vehicle, energy-saving and environmental protection system, road traffic lighting system, programmable power supply and uninterrupted power supply equipment.

| <u>CZW</u> | <u>352A</u> | <u>-K</u> | <u>-S</u> | <u>-□</u> | <u>-□</u> | <u>/24V</u> |
|------------|-------------|-----------|-----------|-----------|-----------|-------------|
| 1          | 2           | 3         | 4         | 5         | 6         | 7           |
| 1          | 2           | 3         | 4         | 5         | 6         | 7           |
| 1          | 2           | 3         | 4         | 5         | 6         | 7           |

- 1 Product type
- 2 Rated current:350A
- 3 Magnetic holding structure: K Two joint magnetic retention(Single coil, Two joint self-locking); 2K Three joint magnetic retention(Double coil, Three joint self-locking)
- 4 Auxiliary switch: None - Without auxiliary switch; S - With auxiliary switch
- 5 Mounting bracket type: 2L Two vertical(default), M Horizontal , 1L One vertical,
- 6 Other function codes: I: With suppressor diode, R: With pre-charged resistance
- 7 Coil rated voltage: 6V,12V,24V,36V,48V,60V,72V,84V,120V,150V,220V etc.

## ORDER FORM DESCRIPTION

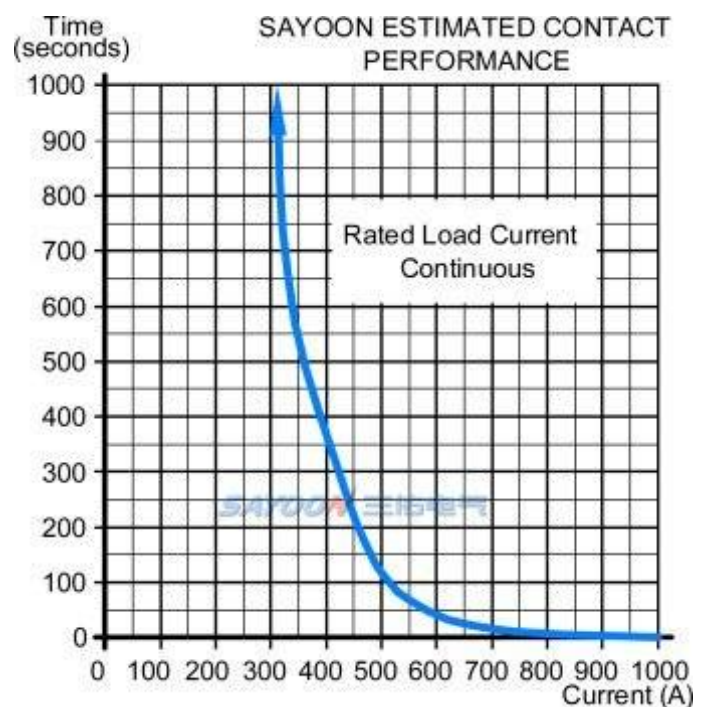
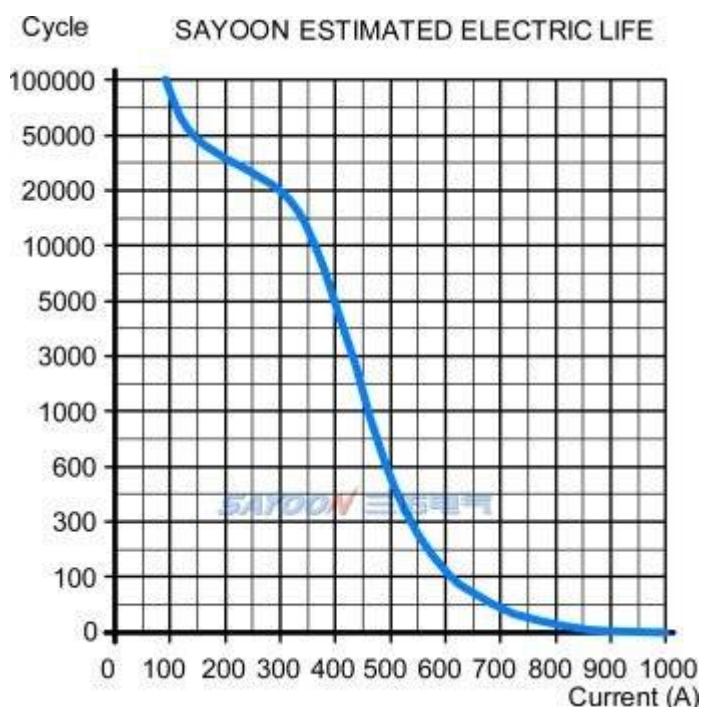
When ordering, please state the following: name, full model, control coil voltage specification, installation frame type, whether with auxiliary contact, order quantity. For example: Magnetic Holding DC Contactor CZW352A-K/24V 100pcs, indicating the load rated current 350A, without auxiliary contact, default mounting bracket, coil control voltage 24V purchase 100pcs. Special voltage specification products, such as user needs can be special order.

## TECHNICAL PARAMETERS

(Version 1.63)

| SAYOON Product Type                              | CZW352A-K  |
|--|--|
| Contact form                                     | 1 Circuit  |
| Coil Rated voltage (DC V)                        | 6V,12V,24V,36V,48V,60V,72V,84V,120V,150V,220V etc. |
| Contact voltage (DC V)                           | ≤80V   |
| Rated load current of contact 48V circuit (DC-1) | 350A   |
| Typical voltage drop across contacts per 100A    | ≧80mV  |
| The cooling pull-in voltage at (20±5)°C (V)      | ≧80%   |
| The cooling drop-out voltage at (20±5)°C (V)     | ≧80%   |
| Working voltage range of 40°C coil               | 0.8-1.2Us  |
| Pulse dration                                    | 200ms≤t≤1s   |
| Operating frequency(square wave)                 | 1 minute≤6 times                                   |
| Insulation Resistance                            | 100MΩ  |
| Electric strength to resist                      | 50Hz/60Hz 2200VAC 1minute                          |
| Typical fault currents which can be ruptured     | 1500A/5ms at 48V DC                                |
| Coil power (W)                                   | K Start: 15-50, Keep: 0                            |
| Temperature rise of coil (K)                     | Normal temperature                                 |
| Temperature rise on outgoing terminal (K)        | ≤65  |
| Electrical life                                  | 10,000 times                                       |
| Mechanical life                                  | 300,000 times                                      |
| Work specification                               | Continuous   |
| Contact material                                 | Ag alloy   |
| Load terminal type                               | 2-M8 Screw   |

## LOAD CHARACTERISTIC CURVE

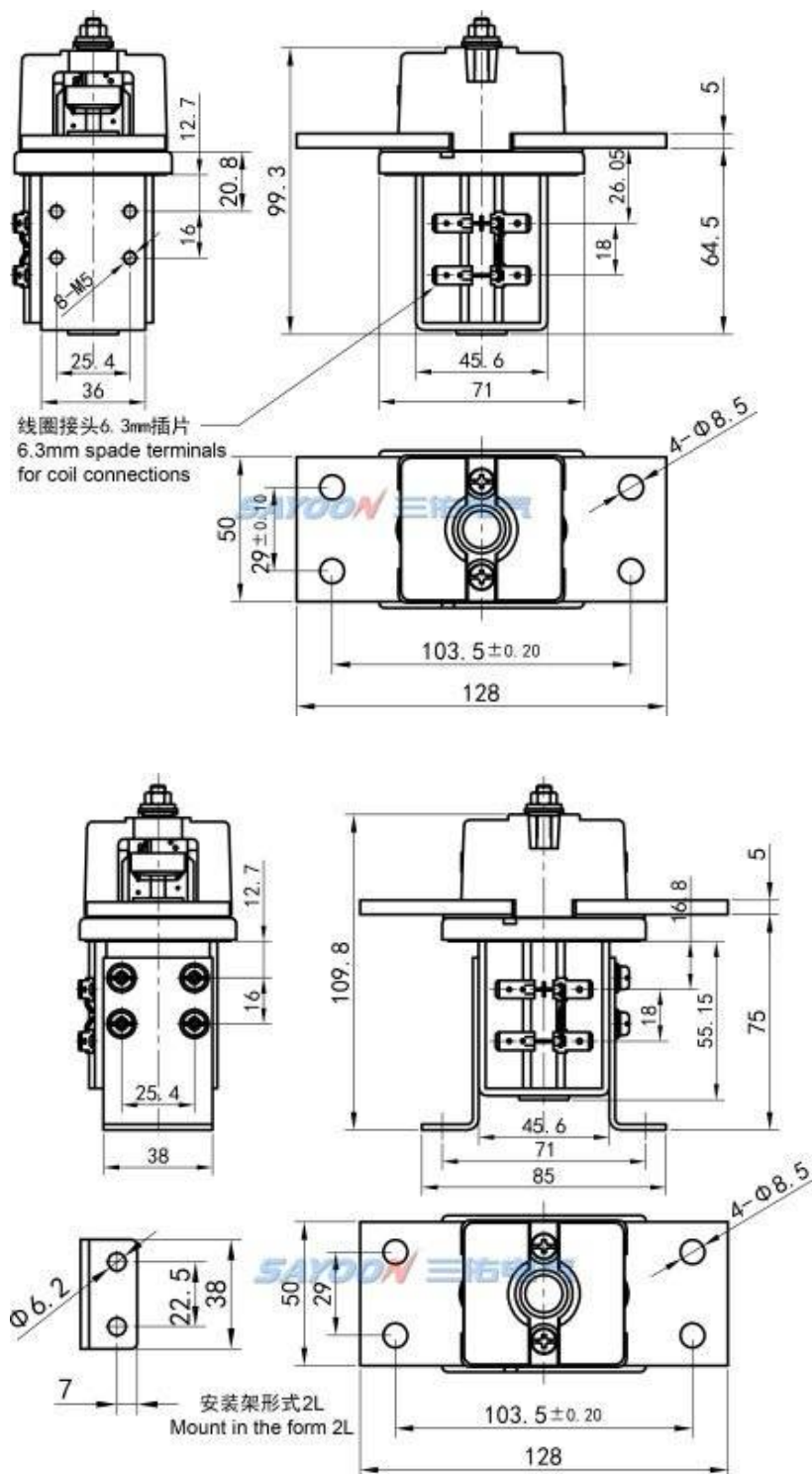


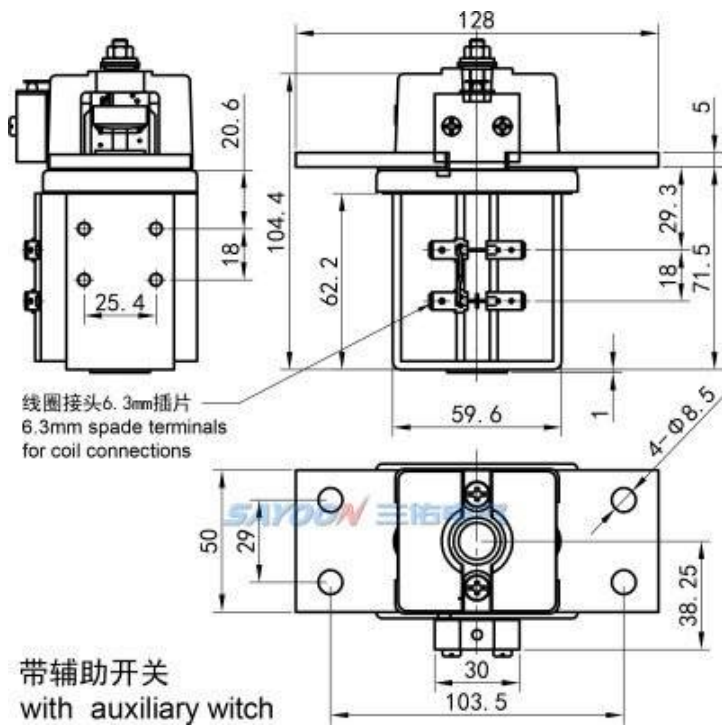
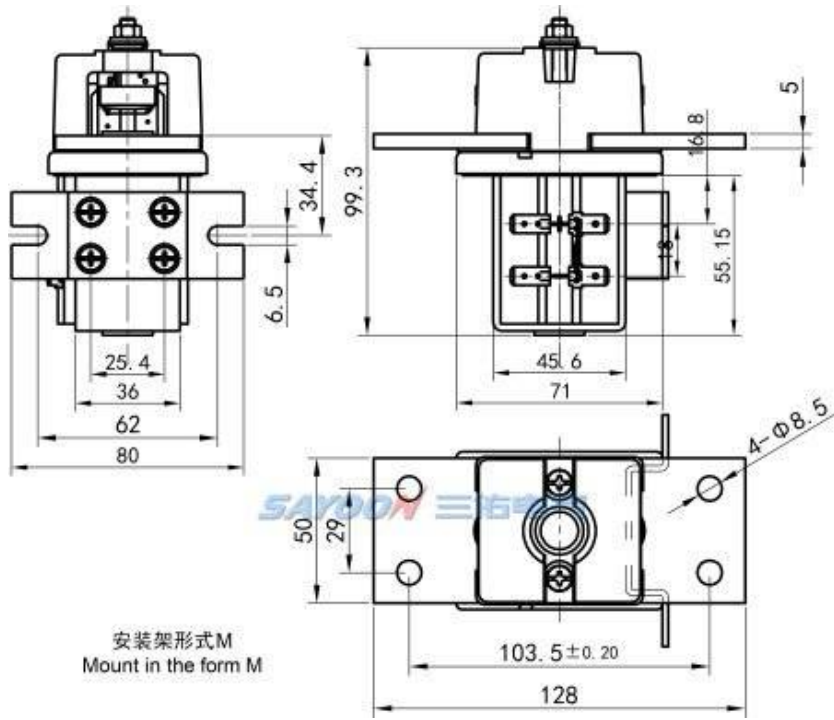
## OTHER TECHNICAL PARAMETERS

|   |                       |
|---|-----------------------|
| Coil terminal type                      | 6.3mm spade terminals |
| Auxiliary contact rated load (optional) | 2A/48VDC, 5A/24VDC    |

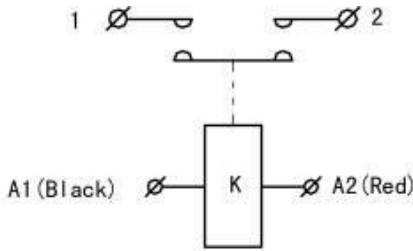
Note:As regarding to the different using environments of customers which requires different focus of the functions,and in order to improve the comprehensive properties of our products,sayoon may adjust the coil parameters,temperature rise and so on. The above parameters are for reference only, For details, please refer to the guidelines for selection and use of the SAYOON DC contactor.

## INSTALLATION DIAGRAM





## WIRING DIAGRAM

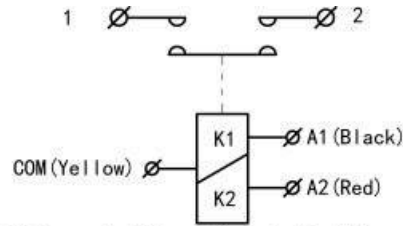


K Two Jiont Magnetic Retention(Two Jiont Self-locking)

### 1.2 Main Contact Terminal

#### A1(Black).A2(Red) Coil Terminal

A1(Black) Connect the negative pole of the power supply  
A2(Red) Connect the positive pole of the power supply  
1. 2 Main contact on.  
A1(Black) Connect the positive pole of the power supply  
A2(Red) Connect the negative pole of the power supply  
1. 2 Main contact disconnection.



2K Three Jiont Magnetic Retention(Three Jiont Self-locking)

### 1.2 Main Contact Terminal

#### A1(Black).COM(Yellow).A2(Red) Coil Terminal

Common positive electrode:COM(Yellow)Connect the positive pole of the power supply  
A1(Black)Connect the negative pole of the power supply , 1. 2 Main contact on.  
COM(Yellow)Connect the positive pole of the power supply  
A2(Red)Connect the negative pole of the power supply , 1. 2 Main contact disconnection.  
Public negative electrode:COM(Yellow)Connect the negative pole of the power supply  
A1(Black)Connect the positive pole of the power supply , 1. 2 Main contact disconnection.  
COM(Yellow)Connect the negative pole of the power supply  
A2(Red)Connect the positive pole of the power supply , 1. 2 Main contact on.

## FEATURES

Suitable for electric forklift, battery cars, tractors, excavators, brick machine, cleaning vehicles, automotive air-conditioning, communication power supply, uninterruptible power supply, power supply switches such as electroplating electronic control system control circuit, has the advantages of small volume, large load capacity, long service life, easy maintenance and other characteristics, welcomed by users. The products in accordance with the standard of the JB2286-78, JB3974-85, YD / 585-92, YD / T512-92 requirements; the plant and related test unit test, meet the standard requirements, the user use for many years, the maximum to meet user needs, quality and reliable.